



Machine Vision in Focus

(+86) 13006699017

WWW.KOWA.HK

SEE WIDE | SEE SWIR



LM6HC-SW

NEW

SWIR OPTIMIZED | 6mm WIDE ANGLE MODEL



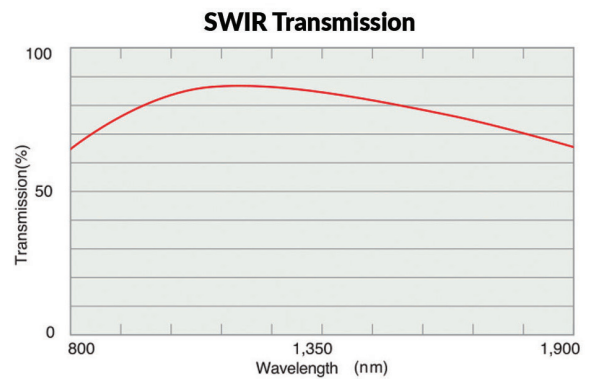
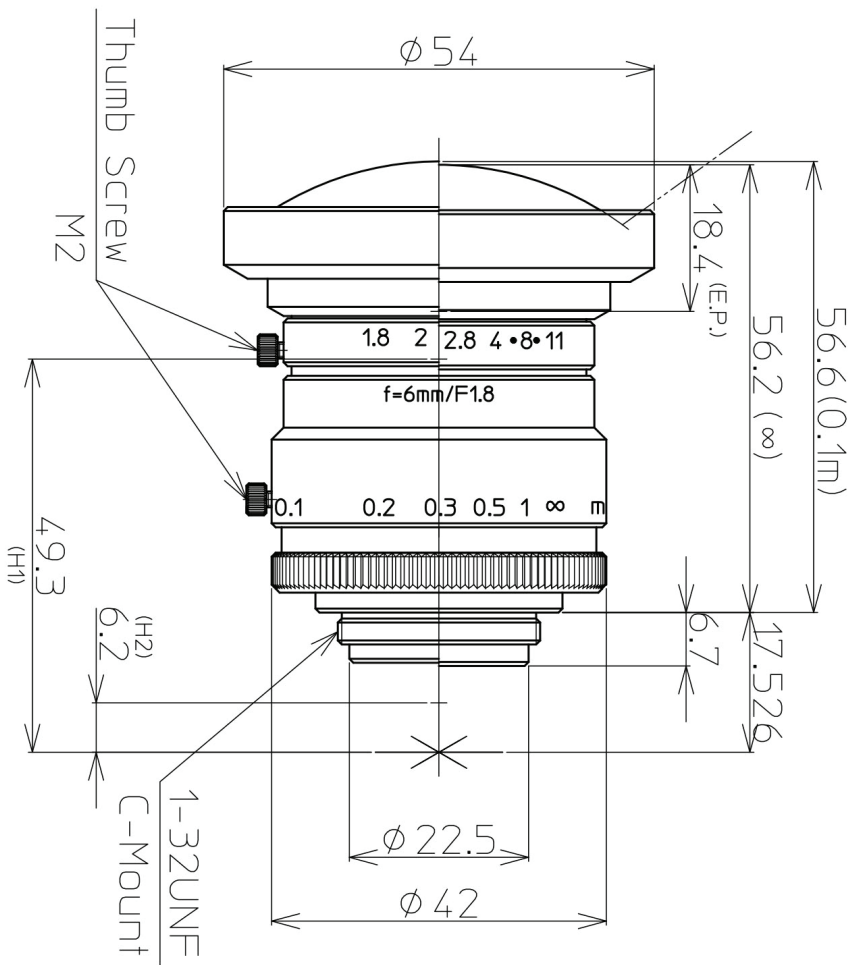
Machine Vision in Focus

LM6HC-SW

Incorporating Kowa's special coating technology, the 1" format HC-SW series maintains high transmission from 800nm to 1900nm. Designed for Near Infrared (NIR) and Short Wavelength Infrared (SWIR) applications.

NEW

LM6HC-SW



6 mm F1.8

Other lenses in the series

8 mm	12 mm	16 mm
25 mm	35 mm	50 mm

Focal length	Aperture	Minimum working distance	Angle of view (Horizontal)	Angle of view (Vertical)	Operating temperature	Distortion (TV)
6mm	F1.8	0.1m	96.8°	79.4°	-10 ~ +50°C	-0.2%



Search Kowa lenses

